

# INALSA

## ELECTRIC KETTLE

Glamor  
PCE 1.5

Glory  
PCE 0.9

— + —  
INSTRUCTION MANUAL

Dear Customer,

Congratulations on the purchase of your **INALSA Electric Kettle**! This has been designed to include many superior features that permit you the fullest expression of your skill and enthusiasm. You are now on the threshold of a whole new world of pleasure.

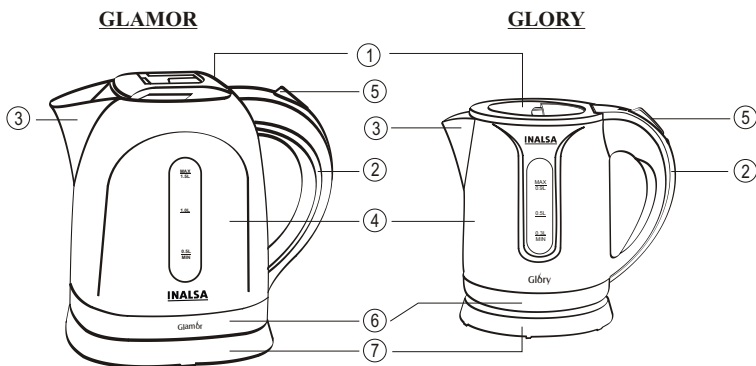
At INALSA, we have a reputation of selling innovative, high quality appliances such as Food Processors, Mixer Grinders, Juicer Mixer Grinders, Cooking Ranges, Juice Extractors, Cooktops, Microwave Ovens, Oven Toaster Grillers, Hand Blenders, Electric Kettles, Rice Cookers, and Electric Chimneys. Your newly acquired **INALSA Electric Kettle** bears the same distinctive hallmark of excellence.

It is all the result of vigorous quality consciousness in INALSA's design and development where uncompromising standards are maintained and rigid quality control measures are exercised on raw materials, components and finally, the finished product.

Your **INALSA Electric Kettle** has a lot of thoughtful features built in to make your team making convenient. Please read these instructions carefully, so that you may get the best out of the power packed features in your **INALSA Electric Kettle**.

Welcome to the INALSA world of pleasure!

## Parts Identification



### Part No.

### Parts Name

- |    |                 |
|----|-----------------|
| 1. | Top Lid         |
| 2. | Handle          |
| 3. | Filter Sieve    |
| 4. | Body            |
| 5. | Operating Lever |
| 6. | Body Base       |
| 7. | Base Connector  |

## Technical Specification \*

Model	Glamor PCE 1.5	Glory PCE 0.9
Product	Electric Kettle	
Power	1850 W	1000 W
Voltage	240V, ~, 50Hz	
Capacity	1.5 Litre	0.9 Litre
Housing	Plastic	
Cord Plug	3 Pin Moulded Plug with PVC Cord	
Element	Concealed	
Connector base	360° Cordless	

\* Due to continuous improvements in product, specifications are subject to change without prior notice.

## **Important Instructions**

1. Please read operating instructions before using the appliance.

### **Do's**

1. Before plugging the socket ensure that the supply voltage is in accordance with the rated one.
2. Place the appliance on a stable, level and heat resistant surface, away from hot surfaces and naked flame.
3. The kettle becomes hot during use. So hold it by the handle only.
4. Ensure that the main cable does not hang over the sharp edges and keep it away from hot objects and open flames.
5. Always make sure that lid is properly closed during the boiling operation.
6. Keep the appliance away from the children.
7. Keep the connector base away from dampness and splashes.
8. In case of any defect, contact the nearest authorized dealer/ service centre.

### **Don'ts**

1. Do not overfill! Check the level indicator (MAX) on the main body while filling water. If the kettle is overfilled, boiling water may be ejected.
2. Do not remove the kettle from its connector base while in operation. Switch OFF the appliance first.
3. Do not remove the lid while the water is boiling.
4. Never leave the kettle unattended during operation.
5. Do not operate the kettle if the cord plug shows the signs of damage.
6. Do not immerse the kettle in water.

## **Before First Use**

1. After unpacking the unit and before any use, make sure the mechanical parts of the kettle and all its attachments are not damaged.
2. Clean the kettle by filling it with clean water and bringing to boil. Pour away the water afterwards.
3. Carefully go through the instruction manual before starting the boiling operation.

## **How to Use**

1. Wind out the main cord only as much as necessary. Draw it out through the opening in the base and connect it to a suitable main socket.
2. Open the lid and pour in water of desired quantity. While doing so, watch the water level mark on the kettle. Never go below the minimum or above the maximum (MAX.) mark.

3. Close the lid and ensure that the kettle is switched OFF before setting it on the base.
4. Place the kettle on the connector base and switch ON the supply. The indicator light will glow 'ON'
5. When the water boils the appliance will shut off power automatically and the indicator light will go OFF.
6. When the water boils the temperature control mechanism operates to stop the boiling operation. The boiling operation can be started again by pressing the operating button after 40-50 seconds. During the appliance cool down do not press the operating button or the appliance will be damaged.
7. Unplug the kettle from the socket when not in use.

## **Safety features**

### **Boil dry protection**

The kettle is incorporated with "automatic steam switch off" and "boil dry protection". In case you switch 'ON' the kettle with too little water, auto shut off device will automatically operate within 10-15 seconds after whole water is evaporated and kettle is switched OFF. Let the kettle cool down before refilling and then press the button to start the boiling process again. If you find drops of water under the kettle, do not worry as it is just condensation.

### **Warning**

1. This kettle is meant for boiling water ONLY.
2. This kettle is for domestic use ONLY.

### **Cleaning and Maintenance**

1. Always remove the plug from the mains socket before cleaning the base. Let the kettle to cool down completely.
2. Descale at regular intervals. Use a descaling agent.
3. Clean the outside of the kettle and the base with a soft dry cloth. Do not use an abrasive material for cleaning the kettle.
4. The kettle must be dried completely before storage.
5. In case of any defect do not tamper with the appliance yourself. Contact the nearest authorized dealer / company service centre.