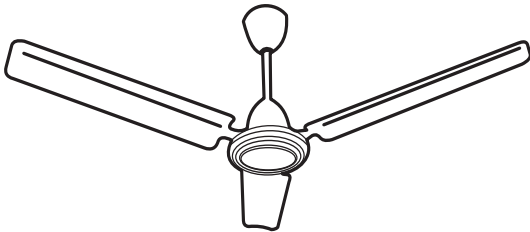


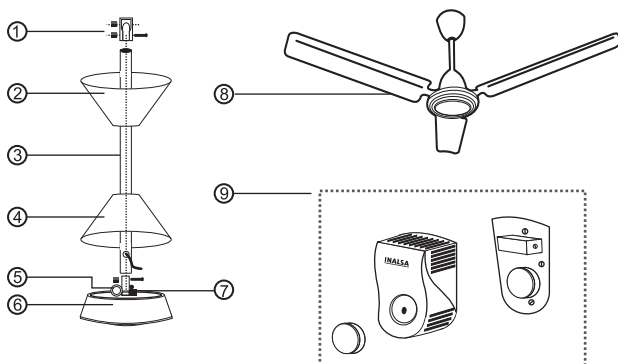
INALSA

ELECTRIC CEILING FAN



INSTRUCTION MANUAL

Identification of Parts



1. Hanger Clamp Assembly.
2. Top Canopy.
3. Down Rod.
4. Bottom Canopy
5. Capacitor
6. Motor Body
7. Terminal Block
8. Blade
9. Regulator (Optional)

How To Assemble

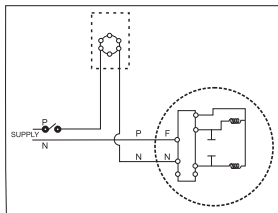
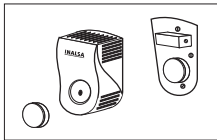
FAN

1. Fix all 3 blades to the motor body with the screws already provided on the motor body.
2. Insert the connecting wires and slip in canopies back to back through the down rod.
3. Insert the bottom end of down rod on spindle of motor body and tighten with hanger clamp.

4. Connect the wires to terminal block.
5. Place the bottom canopy in position and tighten the screws provided on the canopy (Ensure 3 - 4 mm gap between canopy & motor body).

REGULATOR (OPTIONAL)

1. Remove the knob by pulling out with the help of screw driver.
2. Remove the top cover by unscrewing two screws under the knob.
3. Take out the wires through the base plate. Make series electrical Connections at the switch as per the circuit diagram (see the diagram below).
4. Fix the base plate to the wall / board with screws.
5. Fix the top cover by two screws and insert the knob.



How to Install

1. Remove the bolts and nuts from the hanger clamp assembly.
2. Insert the down rod top end in the hanger clamp assembly and tighten with nuts and bolts.
3. Place the rubber reel on the ceiling hook and insert the hanger.
4. Tighten the hanger assembly with nuts & bolts.
5. Place the top canopy in position and tighten the screws provided on the canopy.

Important Instructions

1. Read the instructions carefully before assembly / installation of fan.
2. Check the assembled fan and regulator, ensure proper installation Before putting the fan "ON".
3. The plane of the fan blades should be 2.4 to 2.7 meters from the floor.
4. DO NOT mix the blades of one set with another set as these blades are balanced and packed as a set for efficient air delivery.
5. For ball bearings, use grease of Bharat Petroleum MP 2 or Indian Oil Servogem 3 and for bush bearing 3 - in - 1 or equivalent lubricating oil.