

INALSA

SANDWICH MAKER

TOAST & CO

— + —
Instruction Manual
— + —

Dear Customer,

Congratulations! On the purchase of your INALSA Sandwich Maker, this is designed to include many superior features that permit you the fullest expression of your cooking skill and enthusiasm. You are now on the threshold of a whole new world of cooking pleasure.

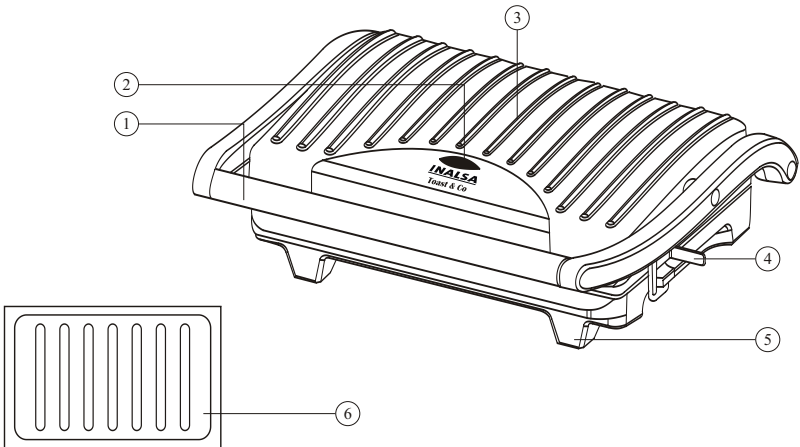
At INALSA, we have a reputation of manufacturing innovative, high quality appliances such as Food Processors, Mixer Grinders, Juicer Mixer Grinders, Cooking Ranges, Juice Extractors, Cooktops, Oven Toaster Grillers, Hand Blenders, Electric Kettles, Rice Cookers, and Electric Chimneys. Your newly acquired INALSA Sandwich Maker bears the same distinctive hallmark of excellence.

It is all the result of vigorous quality consciousness in INALSA's design and development where uncompromising standards are maintained and rigid quality control measures are exercised on raw materials, components and finally, the finished product.

Your INALSA Sandwich Maker has a lot of thoughtful features built in to make your cooking convenient. Please read these instructions carefully, so that you may get the best out of the power packed features in your INALSA Sandwich Maker.

Welcome to the INALSA world of cooking pleasure!!

Parts Identification



| Part No. | Parts Name |
|-----------------|-------------------|
| 1. | Handle |
| 2. | Cooking Indicator |
| 3. | Top Cover |
| 4. | Handle Lock |
| 5. | Bottom Cover |
| 6. | Grill Plate |

Technical Specification *

| | |
|-------------|----------------------------------|
| Product | Sandwich Maker |
| Model | Toast & Co |
| Voltage | 230V, 50Hz, AC |
| Wattage | 700W |
| Cord Plug | 3 Pin Moulded Plug with PVC cord |
| Cook Plates | Grill Plate |
| Coating | Non- Stick |

* Due to continuous improvements in product, specifications are subject to change without prior notice.

Important Instructions

1. Please read the instruction manual thoroughly before using the appliance.
2. Some parts of the sandwich maker has been slightly greased and as a result, it might slightly smoke when used for the first time. After the short while however this will cease.

Do's

1. Before plugging the socket ensure that the supply voltage is in accordance with the rated one.
2. Always preheat the cooking plates before starting to cook.
3. While leaving even for a short while, always unplug the appliance.
4. Keep the appliance away from the children.
5. Always clean the appliance after use. First unplug and allow the heating plates to cool down completely. Keep the sandwich maker open for fast cooling.
6. If the main cord of the appliance is damaged, it must be replaced by an authorized service person.

Don'ts

1. Do not exceed the heating period. This may cause excessive browning of the toast.
2. Do not use sharp or abrasive items in contact with the cooking plate as this may damage the non-stick coating.
3. Never put the power cord near to or in contact with hot surfaces of the sandwich maker.
4. Never immerse the toaster in water.
5. Do not touch the heating plate while toasting as it may cause severe burns.
6. Never use the appliance if it is damaged in anyway.

Before first use

- Clean the cooking plates with a damp cloth or sponge.

How to use

1. Close the Sandwich Maker and plug it into the wall outlet, you will notice that the cooking light will come on, indicating that the Sandwich Maker has begun preheating.
2. It will take approximately 3 minutes to reach baking temperature, the cooking light will goes off.
3. Open the Sandwich Maker, put the sandwich, meat or other foods on the bottom cooking plate.

4. Close the Sandwich Maker. The cooking light will go on again.
5. Cook for about 3 to 8 minutes, the ready light goes off again, or until golden brown, adjusting the time to suit your own individual taste.
6. When the foods is cooked use the handle to open the lid. Remove the food with the help of a plastic spatula. Never use metal tongs or a knife as these can cause damage to the non-stick coating of the cook plates.
7. Once you are finished cooking, disconnect the plug from the wall outlet and leave unit open to cool.

Practical advice

1. For optimal result, filling should be proper and well placed within the sandwich slices.
2. Slightly grease the bread surface with butter for better toasting results.

Cleaning & Maintenance

1. Unplug the appliance and let it cool down before cleaning.
2. Clean the cooking plates with a damp cloth/ sponge. Avoid water running into the appliance

Caution: - Never immerse the appliance into water. Never use an abrasive cloth as it may damage the coating of the plate.

WARRANTY

The "Inalsa Sandwich maker" is fully warranted against any manufacturing defect for a period of **TWO** years from the date of purchase. Should any defect develop in the Sandwich maker during the warranty period, **TUAREG MARKETING PVT. LTD.** undertakes to get the Sandwich Toaster or any part thereof, repaired at any of its authorized service center. The above warranty shall be subject to the following terms and conditions:-

1. Any defective product or part thereof will be repaired within the above stated warranty period on receipt of the same with this card duly filled in and stamped by dealer from whom the product was purchased along with the purchase bill/ invoice, provided the product is brought to our nearest service center freight paid and packed securely.
2. In the event of repairs/ replacement of any part of product, this warranty will thereafter continue and remain in force only for the unexpired period of warranty.
3. This warranty is valid only when:-
 - The product is purchased from the company's authorized dealer and accompanied by this warranty card / cash memo.
 - The product has been serviced by the Inalsa's authorized service personnel.
 - The product has been used and maintained in accordance with the instruction manual.
4. The warranty does not apply to:-
 - Normal wear and tear of the product
 - Damage due to chipping, peeling, plating and denting.
 - Damages arising due to running of the appliances on the alternate sources of power such as Inverter, generator or any such auxiliary power supply aid resulting in variation/ fluctuating voltage
 - Breakage or damage to components made of ABS, SAN, Bakelite, Glass and such plastic/rubber parts, cord, bulbs and surface coating.
 - Damages resulting from accidents, mishandling or negligence on the part of the customer
 - Product if used for the commercial purposes.
 - Product, the serial number of which has been removed obliterated or altered on the specification plate.
5. The warranty is in lieu of all other warranty, expressed or implied and does not cover indirect or consequential damages/ loss.