

INALSA

**POP UP
TOASTER**

Smart 25

—+—
Instruction Manual

Dear Customer,

Congratulations! On the purchase of your INALSA Pop-up Toaster, this is designed to include many superior features that permit you the fullest expression of your cooking skill and enthusiasm. You are now on the threshold of a whole new world of cooking pleasure.

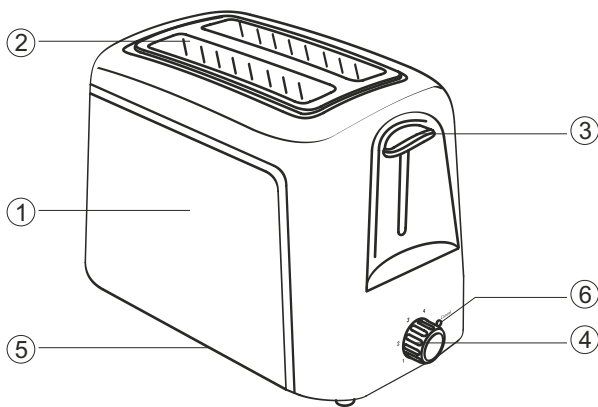
At INALSA, we have a reputation of manufacturing innovative, high quality appliances such as Food Processors, Mixer Grinders, Juicer Mixer Grinders, Cooking Ranges, Juice Extractors, Cooktops, Oven Toaster Grillers, Hand Blenders, Electric Kettles, Rice Cookers, and Electric Chimneys. Your newly acquired INALSA Pop-up Toaster bears the same distinctive hallmark of excellence.

It is all the result of vigorous quality consciousness in INALSA's design and development where uncompromising standards are maintained and rigid quality control measures are exercised on raw materials, components and finally, the finished product.

Your INALSA Pop-up Toaster has a lot of thoughtful features built in to make your cooking convenient. Please read these instructions carefully, so that you may get the best out of the power packed features in your INALSA Pop-up Toaster.

Welcome to the INALSA world of cooking pleasure!!

Parts Identification



Part No.

Parts Name

- | | |
|----|-----------------------|
| 1. | Main Body |
| 2. | Toasting chamber |
| 3. | Bread carriage lever |
| 4. | Browning Control knob |
| 5. | Crumb tray |
| 6. | Heat cancel button |

Technical Specifications *

Product	POP UP TOASTER
Model	SMART 2S
Voltage	240V, 50Hz, AC
Wattage	750 W
Cord plug	3 Pin moulded plug with PVC cord
Toasting chamber	Grill- wire type
Auto Bread Centering	Yes provided

* Due to continuous improvements in product, specifications are subject to change without prior notice.

Important Instructions

1. Please read the instruction manual thoroughly before using the appliance.
2. Some parts of the toaster have been slightly greased and as a result, the toaster might slightly smoke when used for the first time. After the short while however this will cease.

Do's

1. Before plugging the socket ensure that the supply voltage is in accordance with the rated one.
2. While leaving even for a short while, always unplug the appliance.
3. Keep the toaster away from the children.
4. Always clean the appliance after use. First unplug and allow the toaster to cool down completely.
5. If the main cord of the appliance is damaged, it must only be replaced by an authorized service personnel.

Don'ts

1. Do not use sharp or abrasive items in contact with the toaster as this may damage the toaster.
2. Never put the power cord near to or in contact with hot surfaces of the toaster.
3. Never immerse the toaster in water.
4. Do not touch the toasting chamber while toasting as it may cause severe burns.
5. Never use the appliance if it is damaged in anyway.

Before first use

1. Before using the toaster for the first time clean it and operate at least once without bread on the highest setting.
2. As all new heating elements, your toaster creates smell when it is first switched ON. This is quiet normal and not a cause for concern.

How to Use

1. Make sure that crumb tray is in place and bread carriage lever is in the up position.
2. Place the toaster on a dry flat, firm surface away from its edge and at least 3 inches away from the wall.
3. Plug in the socket. Turn the browning control to desire position. Let the toaster to preheat by pressing the bread carriage lever. Insert slices of bread into slots. Press down the lever till it locks.
4. When the toasting cycle is complete, the bread carriage lever will automatically raise the toast up. If you wish to stop the toasting before it is finished, press the heat cancel button.

Heat Cancel Button

1. Heat cancel button is designed to interrupt the toasting cycle before time. It allows you to end the toasting cycle if you see smoke or if you are not sure of toasting times.

Practical Advice

1. Moisture level in breads may differ, which can result in varying toasting times.
2. For slightly dry bread, use a lower browning control setting than normal.
3. For fresh bread, use a higher setting than normal.
4. Bread with uneven surfaces will require a higher browning control setting.
5. Thick pieces of bread will take longer to toast, since more moisture must be evaporated from the bread before toasting can occur. Very thick pieces may require two cycles.
6. When toasting fruit breads, remove any loose raisins from the bread surface to prevent it from sticking on the guard wire in the slot.
7. When toasting a single slice of bread set the browning control to a lower setting than normal as toaster is designed to heat the whole toasting chamber for four slices and toasting of single slice may cause excess browning.

Cleaning and Maintenance

1. Always unplug the toaster from the wall socket and allow it to cool down completely before cleaning.
2. Do not use abrasive cleaners. Simply wipe the exterior with a clean damp cloth.
3. To remove crumbs slide out the crumb tray and discard crumbs. Wipe clean and replace. Never operate the toaster without crumb tray in place.
4. To remove any pieces of bread remaining in the toaster upside down and shake gently. Never insert any hard or sharp instrument into the slots as this could damage the toaster and cause a safety hazard.
5. Always contact your nearest authorized service centre in case of any defect. Do not try to rectify the defect on your own and don't let any unauthorized person to do it either.