

# INALSA

HOME APPLIANCES

**DRY IRON**  
ड्राई आयरन

**Classic /  
Glide**

**USE & CARE MANUAL**  
उपयोग व देखभाल पुस्तिका



The visuals are indicative only

Dear Customer,

Congratulations! On the purchase of your **INALSA Electric iron**, this is designed to include many superior features that permit you the fullest expression of your ironing skill and enthusiasm. You are now on the threshold of a whole new world of ironing pleasure.

At INALSA, we have a reputation of manufacturing innovative, high quality appliances such as Food Processors, Mixer Grinders, Juicer Mixer Grinders, Cooking Ranges, Juice Extractors, Cooktops, Microwave Ovens, Oven Toaster Grillers, Hand Blenders, Electric Kettles, Rice Cookers, and Electric Chimneys. Your newly acquired **INALSA Electric iron** bears the same distinctive hallmark of excellence.

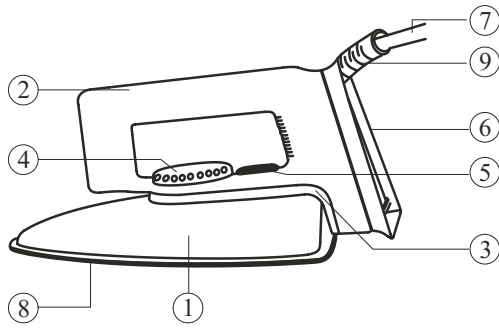
It is all the result of vigorous quality consciousness in INALSA's design and development where uncompromising standards are maintained and rigid quality control measures are exercised on raw materials, components and finally, the finished product.

Your **INALSA Electric iron** has a lot of thoughtful features built in to make your ironing convenient. Please read these instructions carefully, so that you may get the best out of the power packed features in your **INALSA Electric iron**.

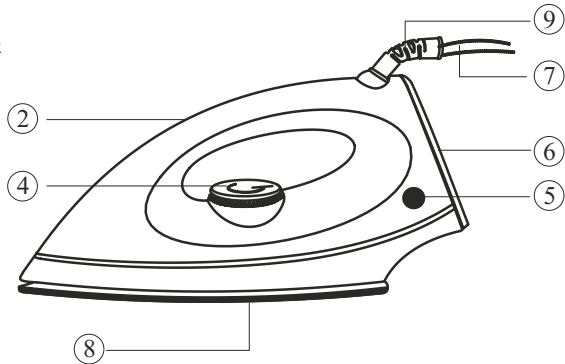
Welcome to the INALSA world of ironing pleasure!!

## Part's Identifications

### Classic



### Glide



Part No.	Part Name	Part No.	Part Name
1.	Cover	6.	Back rest
2.	Handle	7.	Cord plug
3.	Heat resistant plate	8.	Sole plate
4.	Thermostat knob	9.	Cord holder
5.	Indicator cover		

## Technical Specification\*

Model	Classic / Glide
Voltage	230V, 50Hz AC
Wattage	1000W
Cord Plug	Cotton braided with 3 Pin, 6A, 250V moulded plug
Sole plate coating	PTFE coated

\*Due to continuous improvements in product, specifications are subject to change without prior notice.

## Important Instructions

1. Please read operating instructions before using the appliance.
2. **Some parts of the electric iron have been slightly greased and as a result, the electric iron might slightly smoke when used for the first time. After the short while however this will cease.**

## Do's

1. The fabrics which are more sensitive to heat should be ironed at low temperature setting.
2. Always use correct temperature setting for different types of fabric as indicated on the thermostat knob.
3. Before starting ironing let the sole plate to heat sufficiently.
4. Keep the iron on its back rest during idle periods.
5. Always keep the iron moving during ironing operation.
6. Before storing let the iron cool down sufficiently (standing on its back rest).
7. Wind the cord around the handle, when it is completely cooled down.
8. After each use clean with a damp cloth when the iron is still warm. For stubborn marks, clean with vinegar.
9. Keep the iron away from the children.
10. Always unplug the iron before leaving.
11. In case of any defect, contact the nearest authorized dealer/ service centre.

## Don'ts

1. Do not leave the iron unattended during use.
2. Do not place the sole plate on a rough or abrasive surface.
3. Do not use the iron on metallic fittings to avoid scratches.
4. Never immerse the iron in water.
5. Cord should not touch the sole plate when it is hot.
6. Do not touch the sole plate when it is hot.

## Before First Use

1. After unpacking the unit and before any use, make sure the mechanical parts of the iron and all its attachments are not damaged.
2. Carefully go through the instruction manual before starting the ironing operation.

## How to Use

1. Make sure that the supply voltage is in compliance with the rated one.
2. Set the thermostat knob at the desired setting. Plug in the iron. The neon indicator will glow ON which means that the sole plate is heating up. Once the desired temperature is reached, the indicator light will go OFF. Now start ironing your fabric. The indicator light will switch ON / OFF from time to time in order to regulate the temperature of the sole plate.
3. If the cloth consist of various kinds of fibers, you must select the lowest ironing temperature of the composition e.g. an article consisting of 40% of cotton and 60% of polyester, should be ironed at a temperature setting marked as polyester on the thermostat knob.
4. Velvet and other textiles, which rapidly acquire shiny spots, should be ironed in one direction only, and by light pressure.
5. **Sort out clothes; taking into account the nature of the fabric and first start ironing those clothes which are more sensitive to heat (require a cooler temperature setting).**
6. Always keep the iron moving.
7. After the ironing operation is over, unplug the iron and let it be cooled down. Wind the cord around the handle and store in a dry place.

## Practical Advice

1. Sprinkle some water over the fabric during ironing to remove the stubborn wrinkles.
2. Never select higher temperature for the article to be ironed otherwise you run the risk of scorching the fabric and damaging the sole plate of your iron.

## Ironing temperature selection

One must select the appropriate ironing temperature for different types of fabrics. To select the temperature rotate the thermostat knob in such a manner so that the type of fabric marked on the knob is in line with the pointer.

