

INALSA

**EMERGENCY
LIGHT**

Radiance

— + —
INSTRUCTION MANUAL

Dear Customer,

Congratulations on the purchase of your **INALSA Emergency light**. This has been designed to include many superior features.

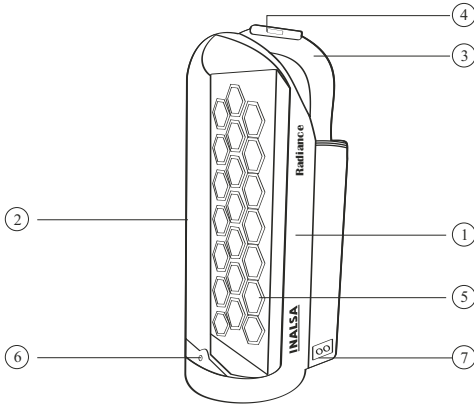
At INALSA, we have a reputation of manufacturing innovative, high quality appliances such as Food Processors, Mixer Grinders, Juicer Mixer Grinders, Cooking Ranges, Juice Extractors, Cooktops, Microwave Ovens, Oven Toaster Grillers, Hand Blenders, Electric Kettles, Rice Cookers, and Electric Chimneys. Your newly acquired **INALSA Emergency light** bears the same distinctive hallmark of excellence.

It is all the result of vigorous quality consciousness in INALSA's design and development where uncompromising standards are maintained and rigid quality control measures are exercised on raw materials, components and finally, the finished product.

Your **INALSA Emergency light** has a lot of thoughtful features built in to make your team making convenient. Please read these instructions carefully, so that you may get the best out of the power packed features in your **INALSA Emergency light**.

Welcome to the INALSA world of pleasure!

Parts Identification



Parts No.Parts Name

- | | |
|----|-------------------|
| 1. | Body |
| 2. | Transparent cover |
| 3. | Carry handle |
| 4. | LED indicator |
| 5. | LED Lights |
| 6. | Fixing screw |
| 7. | Power cord |

Technical Specification*

Model	Radiance
Voltage	230V AC-50Hz.
Fluorescent tube	6W
Operating time	7 hours (approx.) for single tube
(At fully charged battery)	4 hours (approx.) for double tubes
Recharging time	16-22 hours
Battery	6V, 4.5AH, 15 Layers
Weight	1.60 Kg
Fluorescent tube life	2000 hrs. (approx.)

* Due to continuous improvements in product, specifications are subject to change without prior notice.

Important Instructions

1. Please read the instructions before use.
2. Make sure that the mains supply comply with the rated one.
3. Charge fully for about 24 hours before the initial use.
4. Store the emergency light fully charged.
5. Charge fully at least once a month during storage.
6. Charging time will increase if supply voltage is less than 230V.

Do's

1. Always recharge the lamp before the first use or when the light goes dim.
2. Keep the emergency light away from the water.

Don'ts

1. Never attempt to disassemble or temper the emergency light.
2. Never insert metal objects between gaps or spaces of the emergency light.
3. Do not cover the emergency light with towels, clothes, etc.
4. Do not use the emergency light in damp locations or under high humidity.
5. Do not use or place the emergency light near heating devices or under direct sunlight.
6. Do not use other than specified tubes for this lamp.

Before First Use

1. After unpacking the unit and before any use, make sure that all parts of the unit and all its attachments are not damaged.
2. Carefully go through the instruction manual before first use.

How to Use

Using as an Emergency Light

1. Plug into the AC outlet.
2. Set the switch to either “I” or “II”.
3. The emergency light starts recharging its battery automatically.
4. The LED is lit during recharging. This is just to indicate that power supply is ON.
5. The emergency light will glow on automatically whenever power fails.

Using as a Handy Lantern

- Unplug from the main socket and set the switch to either “I” or “II” to use the emergency light as a handy lantern.

Cleaning and Maintenance

- Use a small cotton swab soaked in alcohol to clean the lamp. Never use strong or volatile chemicals for cleaning as they may damage the plastic parts.

Special Recycle Instruction

- Always return your old used batteries and packaging materials to INALSA authorized Dealer / Distributor. This way you help prevent uncontrolled waste disposal and promote the recycling of materials.