

INALSA

**DRIP
COFFEE MAKER**

CAFE MAX

—+—
INSTRUCTION MANUAL
—+—

Dear Customer,

Congratulations on the purchase of your **INALSA Coffee Maker!** This has been designed to include many superior features that permit you the fullest expression of your **cooking** skill and enthusiasm. You are now on the threshold of a whole new world of **cooking** pleasure.

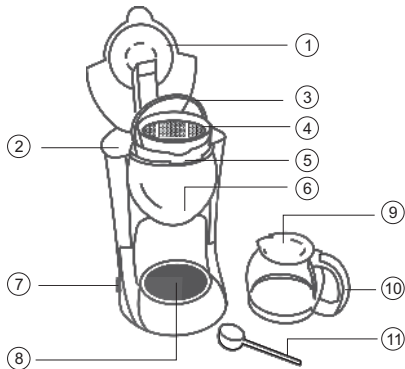
At INALSA, we have a reputation of manufacturing innovative, high quality appliances such as Food Processors, Mixer Grinders, Juicer Mixer Grinders, Cooking Ranges, Juice Extractors, Cooktops, Microwave Ovens, Oven Toaster Grillers, Hand Blenders, Electric Kettles, Rice Cookers, and Electric Chimneys. Your newly acquired **INALSA Coffee Maker** bears the same distinctive hallmark of excellence.

It is all the result of vigorous quality consciousness in INALSA's design and development where uncompromising standards are maintained and rigid quality control measures are exercised on raw materials, components and finally, the finished product.

Your **INALSA Coffee Maker** has a lot of thoughtful features built in to make your cooking convenient. Please read these instructions carefully, so that you may get the best out of the power packed features in your **INALSA Coffee Maker**.

Welcome to the INALSA world of cooking pleasure!

Parts Identification



Part No.

- 1.
- 2.
- 3.
- 4.
- 5.
- 6.
- 7.
- 8.
- 9.
- 10.
- 11.

Parts Name

- Top cover
Tank
Funnel handle
Filter
Funnel
Funnel support
Switch
Keep warm plate
Jar lid
Jar handle
Measuring spoon

Technical Specification*

Model	Cafe' Max
Wattage	600 Watts
Voltage	230V AC-50Hz.
Capacity	4 Cups
Cord Plug	6A 250V 3 pin
Housing	Plastic

* Due to continuous improvements in product, specifications are subject to change without prior notice.

Important Instructions

1. Please read operating instructions before using the appliance.

Do's

1. Before plugging the socket ensure that the supply voltage is in accordance with the rated one.
2. Place the appliance on a stable, level and heat resistant surface, away from hot surfaces and naked flame.
3. The glass jar becomes very hot during use. So hold it by the handle only.
4. Ensure that the main cable does not hang over the sharp edges and keep it away from hot objects and open flames.
5. Always make sure that top cover is properly closed during the operation.
6. Keep the appliance away from the children.
7. In case of any defect, contact the nearest authorized dealer/ service centre.

Don'ts

1. Do not clean the appliance with steel wool pads or other abrasive materials.
2. Do not overfill the water tank. If the tank is overfilled, boiling water may be ejected.
3. Never leave the empty jar on the keep warm plate otherwise it is liable to crack.
4. Do not put the glass jar on direct fire.
5. Do not remove the top lid while the appliance is in use.
6. Never leave the coffee maker unattended during operation.
7. Do not operate the coffee maker if the cord plug shows the signs of damage.
8. Do not immerse the coffee maker in water.

Before First Use

1. After unpacking the unit and before any use, make sure the mechanical parts of the coffee maker and all its attachments are not damaged.
2. Brew clean water and then pour out. Clean the Glass jar, Funnel and Filter thoroughly with warm water..
3. Carefully go through the instruction manual before starting the operation.

How to Use

1. Open the top cover of coffee maker, fill proper amount of water into tank. The water level should not exceed the maximum level.
2. Place the funnel into the funnel support, turn it clockwise until it can not move then put the filter inside the funnel.

3. Add coffee ground into filter. Usually a cup of coffee need a level spoon of coffee ground, but you may adjust according to you taste properly.
4. Close the top cover of the coffee maker and place the glass jar on the keep warm plate horizontally.
5. Plug the power cord into the power source, turn on the switch and the indicator will be illuminated. You may stop to brew by putting off the switch button at any time, the indicator will be glow. The appliance will start brewing once you press the switch again.

Note: You can take out the glass jar and serve at any time. The appliance will stop dripping automatically. But do not keep the appliance in this state for more than 30 seconds.

7. Do not open the tank cover when the coffee maker is operating. The flow back of hot water will damage the appliance and the hot water in the tank may splash to burn person.

Note: The coffee you get will be less than the water you have filled in the tank, as some water is absorbed by the coffee ground.

9. When the process is finished, if you do not want to serve immediately, do not unplug the power, and keep the switch on, the coffee can be kept warm in the keeping warm plate. We suggest the time of keep warm should not be more than 1 hour. You should unplug the power cord from the electrical outlet when the coffee maker is not in use.

Note: Pay attention to pour the coffee out, otherwise you may hurt as the temperature of coffee just finished is high.

Cleaning and Maintenance

1. Be sure to unplug the appliance before cleaning. To protect against electrical shock, do not immerse cord, plug or unit in water or liquid.
2. Clean the funnel and glass jar after each use with hot water.
3. Wipe the product's exterior surface with a soft, damp cloth to remove stains.
4. Water droplets may buildup in the area above the filter and drip onto the product base during brewing. To control the dripping, wipe off the area with a clean, dry cloth after each use of the product.
5. Use a damp cloth to gently wipe the keep warm plate. Never use abrasive cleaner to clean it.

Cleaning of mineral deposits

- To keep your coffee maker operating efficiently, you should clean away the mineral deposits left by the water regularly according to the water quality in your area and the frequency of use of the appliance. The detail is as follows.
 - a) Fill the glass jar with one part of white vinegar and three parts of cold water, pour the water and vinegar mixture into tank, do not put coffee powder, brew the water-vinegar solution.
 - b) Repeat this process till all the yellow scaling comes out.
 - c) After this operation, put fresh water in this glass jar then brew it till the vinegar odor is removed.

Hints for great-tasting coffee

1. A clean coffee maker is essential for making great-tasting coffee. Regularly clean the coffee maker as specified in the "**cleaning and maintenance**" section. Always use fresh, cold water in the coffee maker.
2. Store unused coffee grounds in a cool, dry place. After opening a package of coffee grounds, reseal it tightly and store it in a refrigerator to maintain its freshness.
3. Do not reuse coffee grounds since this will greatly reduce the coffee's flavor. Reheating coffee is not recommended as coffee is at its peak flavor immediately after brewing.
4. Clean the coffee maker when brewing causes oiliness. Small oil droplets on the surface of brewed, black coffee are due to the extraction of oil from the coffee grounds.
5. Oiliness may occur more frequently if heavily roasted coffees is used.